



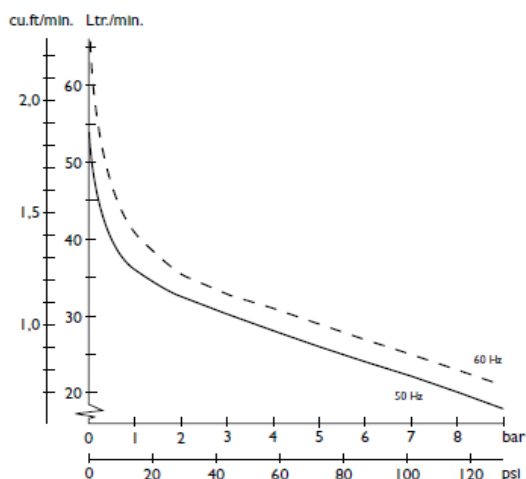
### Features

- 100% oil free
- 100% duty cycle
- Compact and easy to use
- Easy maintenance
- Long-life, 2-year warranty
- 8000 hours cup life at 8bar

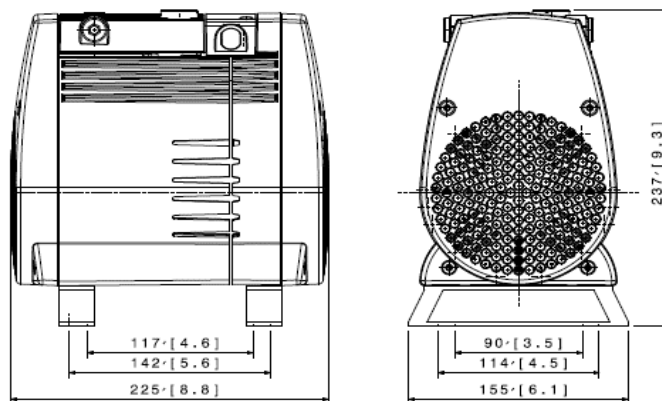
### Product Specifications

Model	OF301 Motor			
Voltage	V	1x230	1x230	1x120
Frequency	Hz	50	60	60
Motor	HP	0.33	0.33	0.33
	kW	0.24	0.24	0.24
Displacement	l/min	54	68	68
Air flow @ 8bar	l/min	20	23	23
	cfm	0.71	0.81	0.81
Max. pressure	bar	8	8	8
	psi	120	120	120
Max. current	A	2.1	2.2	4.2
Receiver volume	litres	4	4	4
	gallon	1.1	1.1	1.1
Weight	kg	19	19	19
	lbs	42	42	42
Noise level	dB(A)/1m	65	66	66
Duty cycle		100%	100%	100%

### Air flow / pressure curve



### Dimensions - mm [inches] \*



\* unit without accessories