

# GAST/JUN-AIR

GAST MFG, INC. & JUN-AIR  
 A Unit of IDEX Corporation  
 Post Office Box 97  
 Benton Harbor, Michigan 49022 U.S.A.  
 Ph: 269/926-6171  
 Fax: 269/925-8288

PART NUMBER: RTD1092

REVISION: D

## PRODUCT SPECIFICATIONS

MODEL NO.	MOTOR	RPM		RUNNING AMPS		STARTING AMPS (0-500 RPM)		HP	kW	NET WT.		CAPACITOR	
		60HZ	50HZ.	60HZ	50HZ.	60HZ	50HZ.			lbs.	kg	mfd.	VOLT
106R650-101-N600X	115-120/230-240 (60Hz) 220-230 (50Hz)	1725	1425	7.4/3.8	3.8	23/12	12	0.75	0,56	28.0	12.7	55	370

SOUND LEVEL 70 dB(A)

NORMAL AMBIENT +5 °C to +40 °C

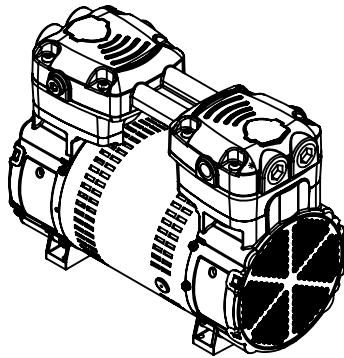
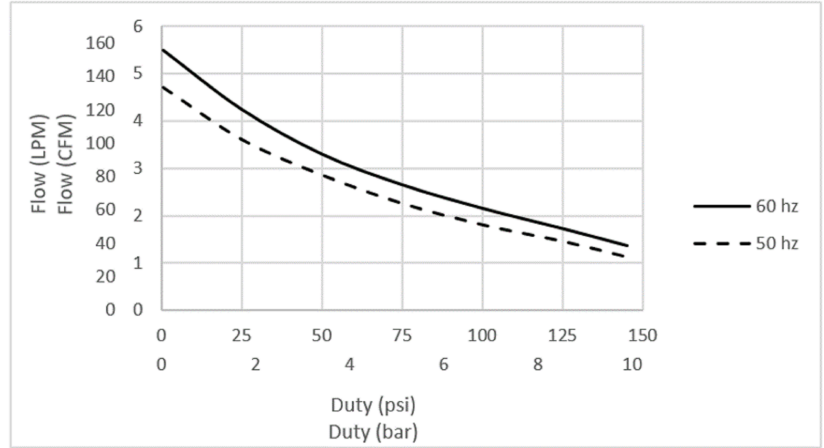
RELATIVE HUMIDITY 20% - 80%

ENVIRONMENT CLEAN

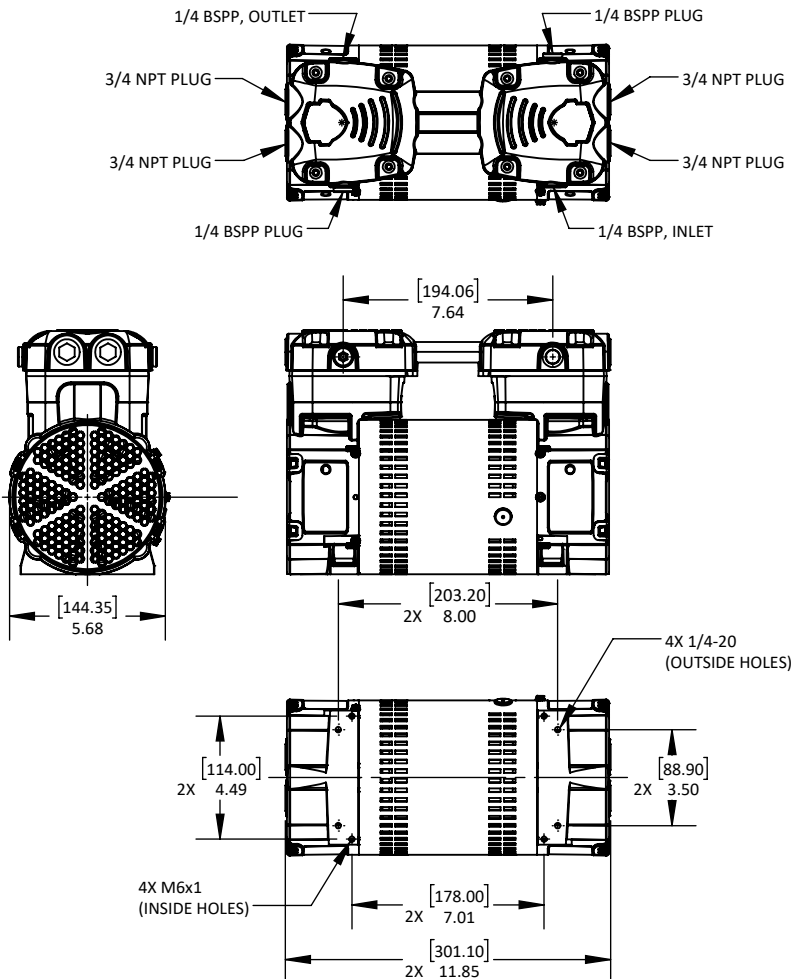
### NOTES:

1. TECHNICAL DATA SUBJECT TO CHANGE WITHOUT NOTICE.
2. ALL DIMENSIONS ARE FOR REFERENCE ONLY.
3. MOTOR LEADS ARE 30 INCH LONG 18 AWG WIRES.
4. MUST BE STARTED AT ZERO PRESSURE. LOAD AFTER REACHING FULL SPEED RPM.

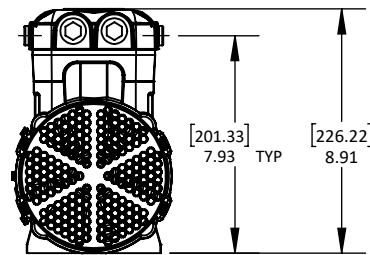
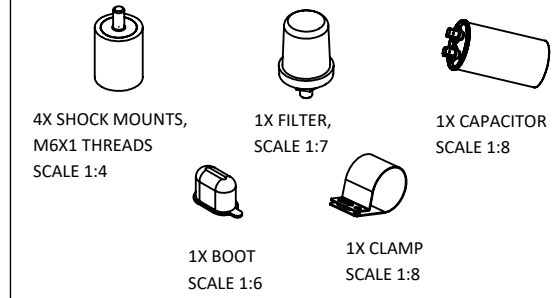
### PRODUCT PERFORMANCE:



### PRODUCT DIMENSIONS:



### PARTS SHIPPED UNATTACHED



### WIRING DIAGRAM

