

GAST MANUFACTURING, INC.
A Unit of IDEX Corporation
Post Office Box 97
Benton Harbor, Michigan
49913-0097
Phone 269/925-8286

PART NO. **RTD960**

REV. **B**

NOTES:
 1. ALL DIMENSIONS ARE FOR REFERENCE USE ONLY.
 2. PRODUCT DIMENSIONS U.S. IMPERIAL (Inches) METRIC (mm).
 3. * = TECHNICAL DATA SUBJECT TO CHANGE WITHOUT NOTICE.
 4. INSTALLATION THIS PUMP MUST BE INSTALLED IN AN ENCLOSURE.
 5. INCLUDES AN ELECTRICAL PARTS KIT, AND A CAPACITOR MFG. KIT.

LOW VOLTAGE

BRN — CAP
BRN — LINE 1
WHT — LINE 2
BLK — LINE 2
BLU — LINE 2
ORG — INSUL.
RED — INSUL.

HIGH VOLTAGE

BRN — CAP
BRN — LINE 1
WHT — LINE 2
BLU — LINE 2
BLK — INSUL.
RED — INSUL.
ORG — INSUL.

Free Air Flow (CFM) vs Pressure (psig)

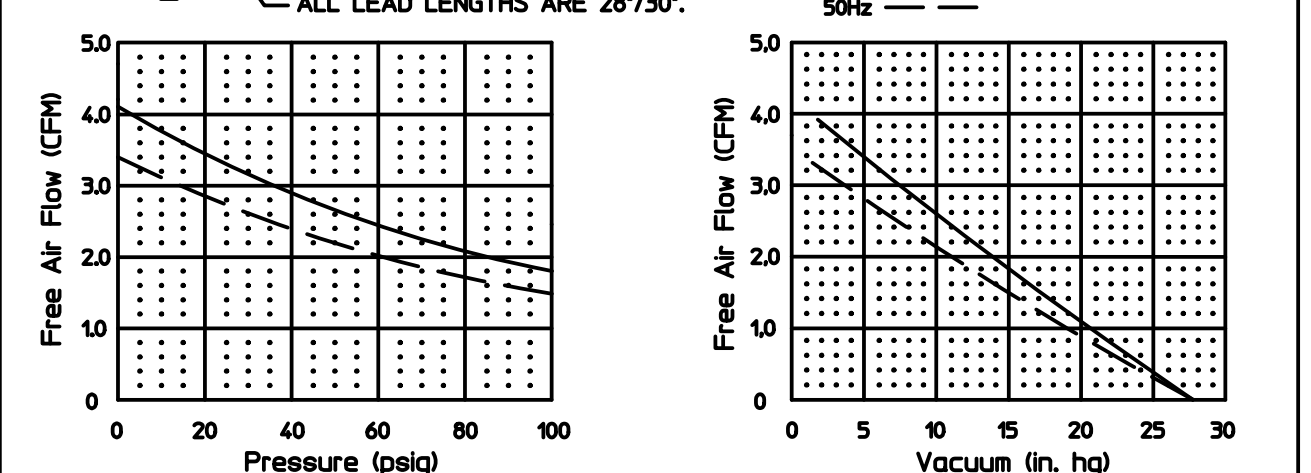
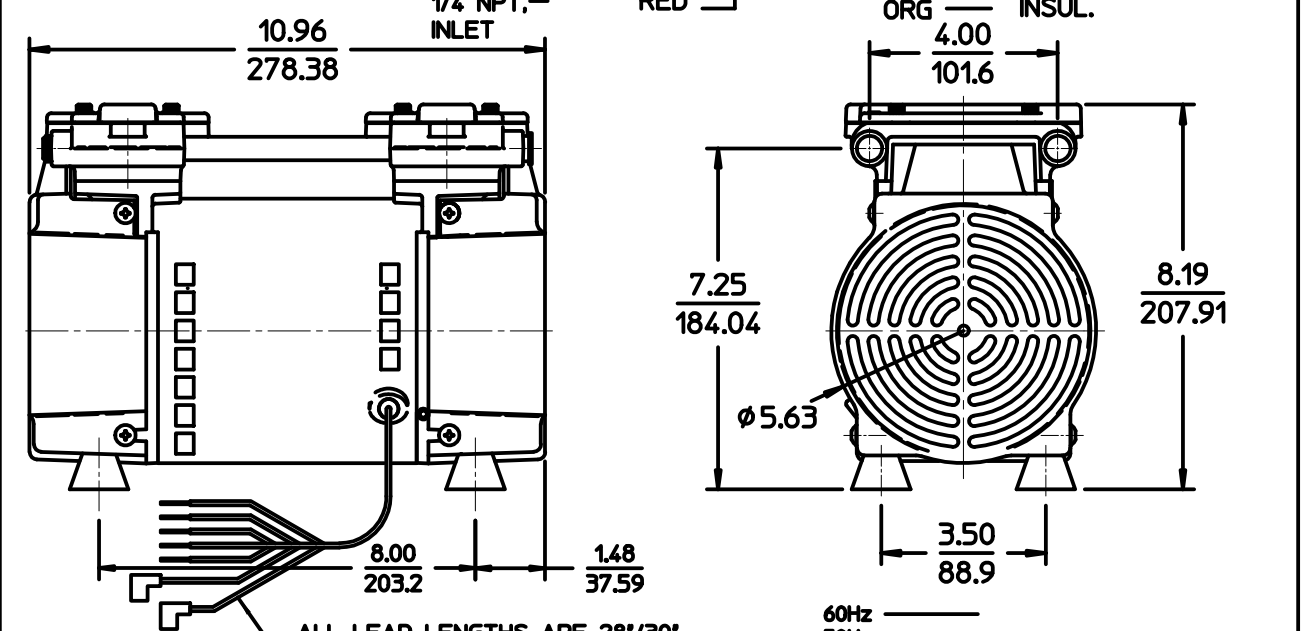
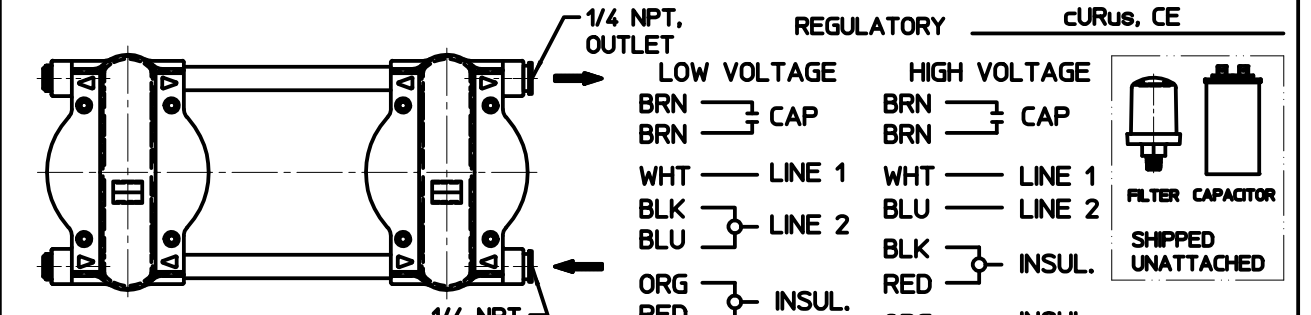
Free Air Flow (CFM) vs Vacuum (in. hg)

Product Specifications

Model Number	VOLTS (SINGLE PHASE ONLY)		Hz	RPM	HP	kW	Net Wt.		AMPS	CAPACITOR (std. - volts)
	115-120 / 230-240	110-120 / 220-240					lbs.	kg		
7R642-P163D-N570X	115-120 / 230-240	110-120 / 220-240	60	1725	3/4	.56	16	7.3	5.2/2.7	45 - 370
			50	1425					6.4/3.3	

SOUND LEVEL Less Than 70 dBA(A)
 NORMAL AMBIENT +5 degC - +40 degC
 RELATIVE HUMIDITY 20% - 80%
 ENVIRONMENT Clean Dust Free
 REGULATORY cURus, CE

REGULATORY cURus, CE



Product Specifications

Model Number	VOLTS (SINGLE PHASE ONLY)		Hz	RPM	HP	kW	Net Wt.		AMPS	CAPACITOR (std. - volts)
	115-120 / 230-240	110-120 / 220-240					lbs.	kg		
7R642-P163D-N570X	115-120 / 230-240	110-120 / 220-240	60	1725	3/4	.56	16	7.3	5.2/2.7	45 - 370
			50	1425					6.4/3.3	