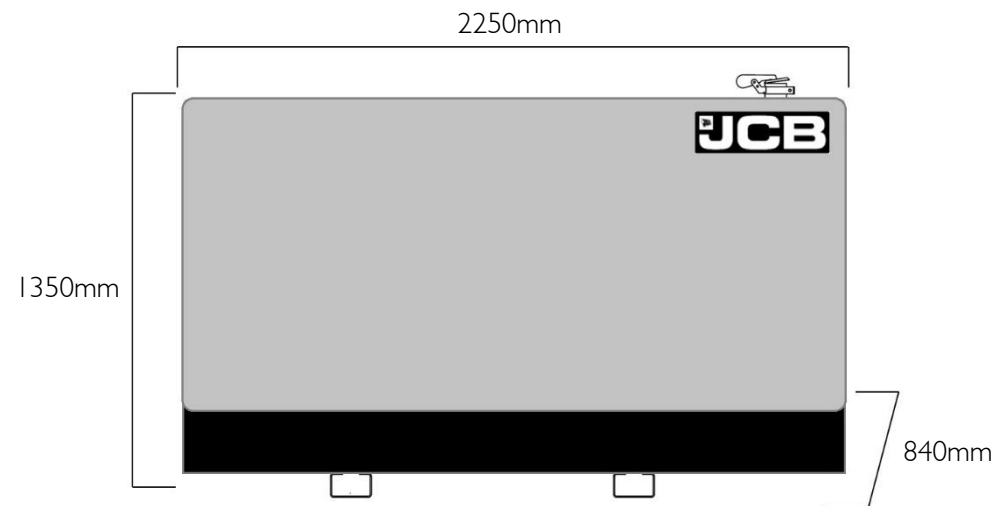


Image is for illustration purpose only.



**DIESEL GENERATOR**

**FUEL OPTIMISED**

## ELECTRICAL

| Frequency (Hz) | Phases | Voltage (V) | Prime |     | Standby |     | Rated Speed (RPM) |
|----------------|--------|-------------|-------|-----|---------|-----|-------------------|
|                |        |             | kVA   | kW  | kVA     | kW  |                   |
| 50             | 3      | 400/230V    | 31    | 25  | 34      | 27  | 1500              |
| 60             | 3      | 380/220V    | N/A   | N/A | N/A     | N/A | 1800              |
| 60             | 3      | 220/127V    | N/A   | N/A | N/A     | N/A | 1800              |
| 60             | 3      | 208/120V    | N/A   | N/A | N/A     | N/A | 1800              |

## POWER FACTOR

|         |     |
|---------|-----|
| 3 Phase | 0.8 |
| 1 Phase | 1   |

## ALL RATINGS ARE TO STANDARD REFERENCE CONDITIONS ISO 8528

**Prime:** This rating is for the supply of continuous electrical power, at variable load, in lieu of commercially purchase power. There is no limitation on the annual hours of operation and 10% over load power can be supplied for 1 hour in 12.

**Standby:** Standby Power (ESP) is the maximum output available, for up to 200 hours per year, where the average load (variable) does not exceed 70% of the standby power rating. No overload is available.

**Stage IIIA** Models are only emissions compliant at 50Hz Prime Power in accordance with 97-68EC.

## FUEL CONSUMPTION

|                   |     |      |      |
|-------------------|-----|------|------|
| 100% Load Prime   | L/h | 50Hz | 7.4  |
| 75% Load Prime    | L/h |      | 5.61 |
| 50% Load Prime    | L/h |      | 3.98 |
| 100% Load Standby | L/h |      | 8.0  |
| 100% Load Prime   | L/h | 60Hz | N/A  |
| 75% Load Prime    | L/h |      | N/A  |
| 50% Load Prime    | L/h |      | N/A  |
| 100% Load Standby | L/h |      | N/A  |

## EXHAUST SYSTEM

|                                  |                     |      |     |
|----------------------------------|---------------------|------|-----|
| Maximum Temperature 100% Standby | °C                  | 50Hz | 520 |
| Exhaust Gas Flow 100% Standby    | m <sup>3</sup> /min |      | 03  |
| Maximum Allowed Back Pressure    | mbar                |      | 80  |
| Maximum Temperature 100% Standby | °C                  | 60Hz | N/A |
| Exhaust Gas Flow 100% Standby    | m <sup>3</sup> /min |      | N/A |
| Maximum Allowed Back Pressure    | mbar                |      | N/A |

## AIR SYSTEM

|   |                   |      |      |
|---|-------------------|------|------|
| Intake Air Flow 100% Standby  | Kg/h              | 50Hz | 110  |
| Total Cooling Air Flow 100% Standby (@20mm H <sub>2</sub> O Canopy Depression)  | m <sup>3</sup> /s |      | 0.49 |
| Alternator Fan Airflow  | m <sup>3</sup> /s |      | 0.20 |
| Intake Air Flow 100% Standby  | Kg/h              | 60Hz | N/A  |
| Total Cooling Air Flow 100% Standby (@N/Amm H <sub>2</sub> O Canopy Depression) | m <sup>3</sup> /s |      | N/A  |
| Alternator Fan Airflow  | m <sup>3</sup> /s |      | N/A  |

## ENGINE

| 1500 RPM                     |                              |                        |
|------------------------------|------------------------------|------------------------|
| Gross Engine Power (PRP)     | kW                           | 29                     |
| Gross Engine Power (Standby) | kW                           | 32                     |
| 1800 RPM                     |                              |                        |
| Gross Engine Power (PRP)     | kW                           | N/A                    |
| Gross Engine Power (Standby) | kW                           | N/A                    |
| Manufacturer and Model       | JCB by Kohler KDI 2504 TM-30 |                        |
| Fuel                         | Diesel                       |                        |
| Injection                    | Direct                       |                        |
| Aspiration                   | Turbocharged                 |                        |
| Cylinders                    | 4                            |                        |
| Bore and Stroke              | mm                           | 88 x 102               |
| Displacement                 | L                            | 2.482                  |
| Cooling                      | Water                        |                        |
| Engine Oil Specification     | API CH4-SAE 10W40            |                        |
| Compression Ratio            | 11.5 : 1                     |                        |
| Engine Oil Capacity          | L                            | 12                     |
| Coolant Capacity             | L                            | 08                     |
| Governor                     | Mechanical                   |                        |
| Air Filter                   | Single Paper Element         |                        |
| Engine Oil Consumption       | 100% Load                    | 0,1 % of Fuel Consumed |
| Emission Level               | FUEL OPTIMISED               |                        |

## FUEL SYSTEM

|                      |       |  |
|----------------------|-------|--|
| Diesel Specification | EN590 |  |
|----------------------|-------|--|

## ALTERNATOR ECP28 VL4C

|                                 |                                     |
|---------------------------------|-------------------------------------|
| Poles                           | 4                                   |
| Winding Connections             | Star                                |
| Insulation                      | Class H                             |
| Enclosure                       | IP23                                |
| Exciter System                  | Self Exciting Brushless             |
| Voltage Regulator               | AVR                                 |
| Steady State Voltage Regulation | +/- 1.0%                            |
| Bearing                         | Single Bearing sealed               |
| Coupling                        | Flexible Disc                       |
| Cooling                         | Direct Drive Centrifugal Blower Fan |
| Coating                         | Winding Protection Grey             |

## STARTING SYSTEM

|                   |    |     |
|-------------------|----|-----|
| Starter Motor     | kW | 2.0 |
| Battery Capacity  | Ah | 110 |
| Auxiliary Voltage | V  | 12  |

## BATTERY FEATURES

|                         |           |
|-------------------------|-----------|
| Battery Isolator        | Δ         |
| Battery Type (Optional) | Lead Acid |
| Battery Size (Ah)       | 110       |
| Number of Batteries     | 1         |
| Battery Charger         | Δ         |

Standard: ● Not Available: x Optional: Δ

## MECHANICAL FEATURES

|                                       |   |
|---------------------------------------|---|
| Cooling Pack                          | ● |
| Air Filter                            | ● |
| Mechanical Governor                   | ● |
| Electronic Governor                   | x |
| Low Oil Pressure Switch               | ● |
| High Coolant Temperature Switch       | ● |
| Oil Temperature Sender                | x |
| Radiator Guards                       | ● |
| Hot Component Guards                  | Δ |
| Water Jacket Heater                   | Δ |
| Pre-Filter with Separator             | ● |
| Internal Fuel Fill                    | ● |
| 3 Way Fuel Valve with Quick Connector | Δ |
| Industrial Silencer                   | Δ |
| Bunded Base                           | Δ |
| Gravity Oil Drain Pipe                | Δ |
| Larger Fuel Filler Neck               | x |
| Fuel Level Sensor                     | ● |

Standard: ● Not Available: x Optional: Δ

## ELECTRICAL FEATURES

|  |   |
|--|---|
| AVR DSR                                  | ● |
| AVR DER                                  | x |
| Winding Protection Standard              | x |
| Winding Protection Standard +            | x |
| Winding Protection Grey                  | ● |
| Winding Protection Total                 | x |
| Winding Protection Total +               | x |
| MAUX                                     | ● |
| PMG                                      | x |
| Anti-Condensation Heater                 | Δ |
| 3 Pole Moulded Case Circuit Breaker      | ● |
| 4 Pole Moulded Case Circuit Breaker      | Δ |
| Earth Leakage Protection (Shunt Trip)    | ● |
| Preparation for Earth Connection         | ● |
| Optional Voltages                        | Δ |
| Synchronisation                          | x |
| Emergency Stop Button                    | ● |
| Standard: ● Not Available: x Optional: Δ |   |

## JCB COMMUNICATION AND CONTROL

|  |   |
|--|---|
| DSE 4520                                 | ● |
| DSE 7310                                 | x |
| DSE 7320                                 | x |
| DSE 8610                                 | x |
| Live Link For Power                      | Δ |
| Standard: ● Not Available: x Optional: Δ |   |

## CE PACK (Optional)

|  |   |
|--|---|
| EMC Certification                          | ● |
| Hot Guards                                 | ● |
| Belt Guards                                | ● |
| Earth Leakage Relay                        | ● |
| Sound Power Decal                          | ● |
| EU Declaration for Engine Emissions        | ● |
| Complete Machine Declaration of Conformity | ● |
| Standard: ● Not Available: x Optional: Δ   |   |

## REFERENCE STANDARDS

JCB Generators are CE certified and conform to the following Directives (subject to a country requiring such standard):

- EN 12100, EN13857, EN60204
- 2006/42/CE Machinery safety
- 2006/95/EC Low voltage
- 2004/108/CE Electromagnetic compatibility
- 2000/14/EC Sound Power Level (amended by 2005/88/EC)
- 97/68/EC Emissions(amended by 2002/88/EC & 2004/26/EC)
- Power according to ISO 8528 and ISO 3046
- Ambient reference conditions 1000mbar, 25°C, 30% relative humidity ISO3046

Information based on standard specification equipment unless otherwise stated.

## WEIGHT AND DIMENSIONS – OPEN SET

|                             |                |      |
|-----------------------------|----------------|------|
| Length                      | mm             | 1420 |
| Width                       | mm             | 750  |
| Height                      | mm             | 1100 |
| Shipping Volume (sea ready) | m <sup>3</sup> | 1.17 |
| Weight*                     | Kg             | TBC  |

*\*Standard build with all fluids except fuel*

## WEIGHT AND DIMENSIONS – CANOPY SET

|                             |                |      |
|-----------------------------|----------------|------|
| Length                      | mm             | 2250 |
| Width                       | mm             | 840  |
| Height                      | mm             | 1350 |
| Shipping Volume (sea ready) | m <sup>3</sup> | 2.55 |
| Weight*                     | Kg             | 1030 |

*\*Standard build with all fluids except fuel*

## SOUND PRESSURE (CANOPY ONLY)

|          |      |       |    |
|----------|------|-------|----|
| LpA (7m) | 50Hz | dB(A) | 67 |
|----------|------|-------|----|

## FUEL SYSTEM

|                             |   |       |
|-----------------------------|---|-------|
| Diesel Specification        |   | EN590 |
| Fuel Tank Capacity - Open   | L | 77    |
| Fuel Tank Capacity - Canopy | L | 77    |

## CANOPY FEATURES

|  |   |
|--|---|
| Lockable Maintenance Access Doors  | ● |
| Control Panel Viewing Window   | ● |
| Fork Pockets   | Δ |
| Single Lift Point  | Δ |
| Bunding  | Δ |
| High Density Fire Retardant Foam   | ● |
| Yellow Paint   | ● |
| White Paint  | Δ |
| Four Point Lift (non CE)   | Δ |
| Residential Silencer   | ● |
| Door Stops   | Δ |
| Canopy Bump Stops  | Δ |
| Manual Oil Drain Pump  | Δ |
| 1x32A 3 Phase / 1x16A 1 Phase Socket Box                                 | x |
| 1x63A 3 Phase / 3x32A 1 Phase Socket Box                                 | Δ |
| 1x63A 3 Phase / 1x32A 1 Phase / 2x16A 1Phase Socket Box                  | x |
| 1x32A 3 Phase / 2x16A 1 Phase Socket Box                                 | Δ |
| 1x125A 3 Phase / 1x63A 3 Phase / 3x32A 3 Phase / 3x32A 1Phase Socket Box | x |
| External Emergency Stop Button   | ● |

Standard: ●      Not Available: x      Optional: Δ